

Tree/Star Single Mode Three Window Coupler Module

Product Description:

Valdor's new three window single mode splitter modules have high density port configuration with outstanding performance over the 1310nm, 1490nm, 1550nm operating wavelengths. They are designed for PON tri-play network systems. They have low insertion loss, excellent uniformity, and low polarization sensitivity. They are contained in a compact and lightweight cassette enclosure. All devices are tested according to industry standard test procedures and customers are provided with test results / data.

For any specialized or customized applications, Valdor can provide customers with specific designs and specifications.

All components are Telcordia GR-1209 and GR-1221 compliant.



Features:

- Three Operating Windows
- Low Excess Loss
- Low PDL
- Low Profile Packaging
- High Stability and Reliability

Applications:

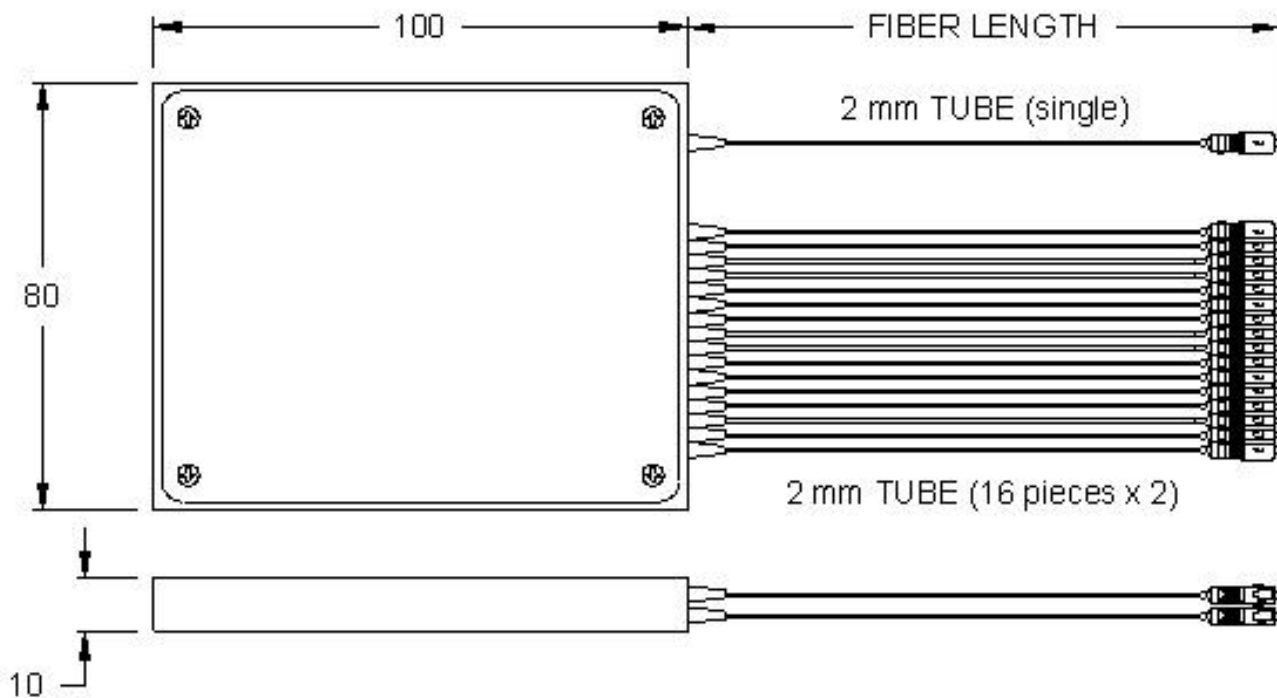
- Optical Communication Systems
- CATV
- FTTH
- Fiber Amplifier Systems

Performance Specifications:

Port Configuration	1 x 4	1 x 8	1 x 16	1 x 32
Operating Wavelength (nm)	1310 / 1490 / 1550			
Operating Wavelength Range (nm)	± 40			
Insertion Loss (dB) (max.) *	7.5	10.8	14.4	17.5
Uniformity (dB) (max)	1.0	1.2	1.5	2.0
Polarization Dependent Loss (dB)	< 0.3	< 0.5	< 0.6	< 0.6
Directivity (dB)	> 55			
Return Loss (dB)	> 55			
Power Handling (mW) (max.)	500			
Operating Temperature (°C)	-55 to +100			
Storage Temperature (°C)	-55 to +100			
Package Dimensions (mm)	100 x 80 x 10			

Note: * Insertion Loss does not include connectors.

Product Dimensions:



Product Ordering Information:

118H	-	PN	F	P	LL	-	CC
		(Port Number)	(Fiber Type)	(Pigtail)	(Length)		(Connector)
		01 = 1x4	1 = SMF-28e	1 = 250 um	05 = 0.5 m		00 = None
		02 = 1x8		2 = 900 um	10 = 1.0 m		01 = FC/UPC
		03 = 1x16		3 = 2 mm	15 = 1.5 m		02 = FC/APC
		04 = 1x32		4 = 3 mm	20 = 2.0 m		03 = SC/UPC
							04 = SC/APC
							05 = LC/UPC
							06 = LC/APC
							07 = ST/UPC
							08 =MU/UPC

Please contact Valdor for pricing and ordering information for custom configurations and other information.

Technical Information:

Please contact Valdor at:
Tel: (510) 293-1212 Fax: (510) 293-9996
E-mail: sales@valdor.com